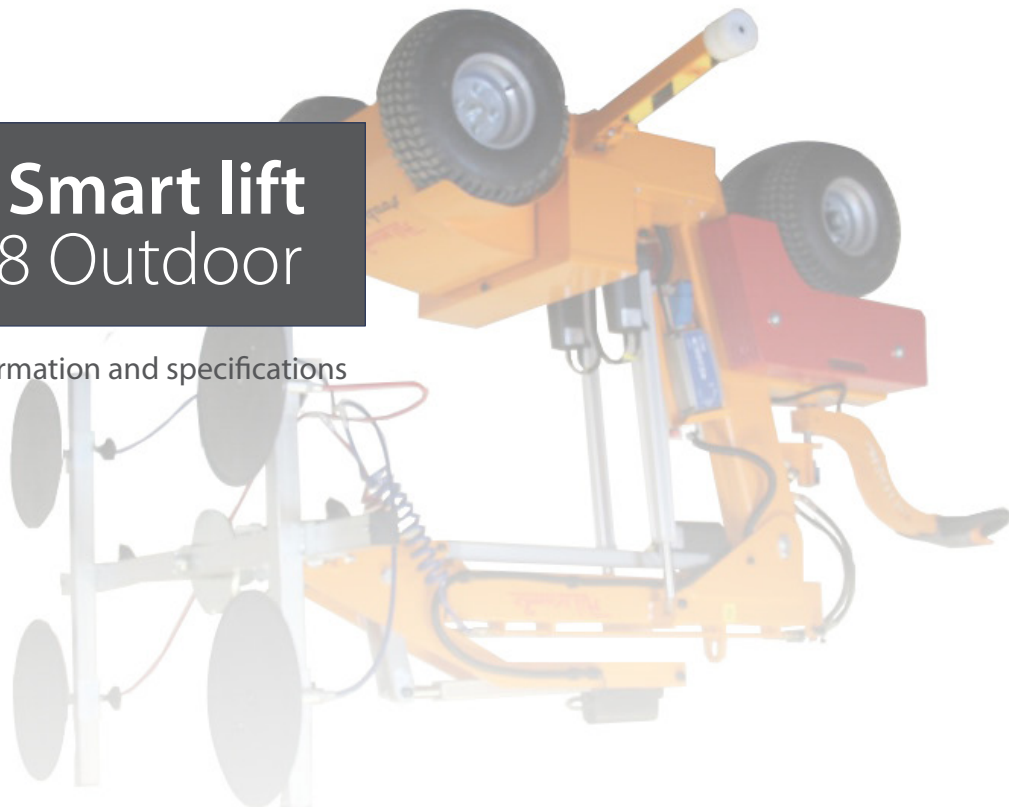


Smart lift SL608 Outdoor

Product information and specifications



Smart lift SL608 Outdoor

STANDARD EQUIPMENT

- Off road with front-wheel drive
- Manoevrable with dual rear wheels
- Foam filled tyres
- Self-driven
- Electronic brake
- Waterproof according to ip65
- 2 vacuum circuits with 2 pumps
- 4 Suction pads Ø 400 mm
- Ergonomic operation handle
- Lifting height 3500 mm (centre of yoke)

DIMENSIONS



Width (min) **830 mm**
 Length (min) **2340 mm**
 Extension of arm **700 mm**
 Side shift **100 mm**



Height **1530 mm**
 Lifting height **3500 mm**
 Lifting capacity (arm in/extended) **608 / 280 kg**
 Tip from horizontal **35° back / 100° forward**



Battery (2 x 12 V) 24 Volt **2 x 105 A**
 Running period **Approx. 20 hours**
 Integrated charger **Cetek XT 14000**
 Charging time **Approx. 8 hours**
 Charging voltage **230 volt**



Speed regulation **Stepless high / low**
 Front-wheel drive **1200 Watt-AC**
 Brake **Electronic**

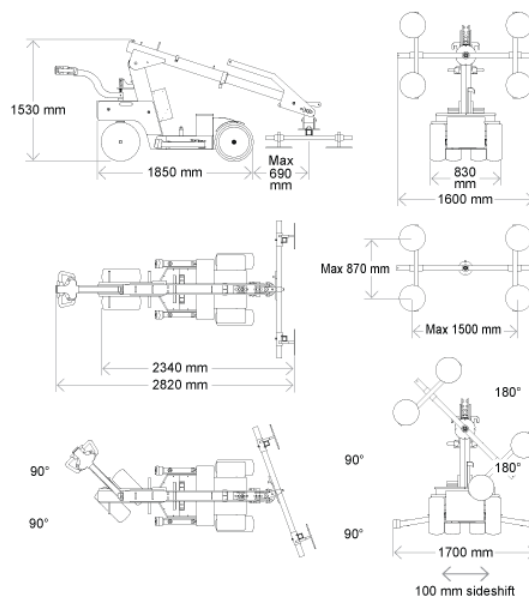
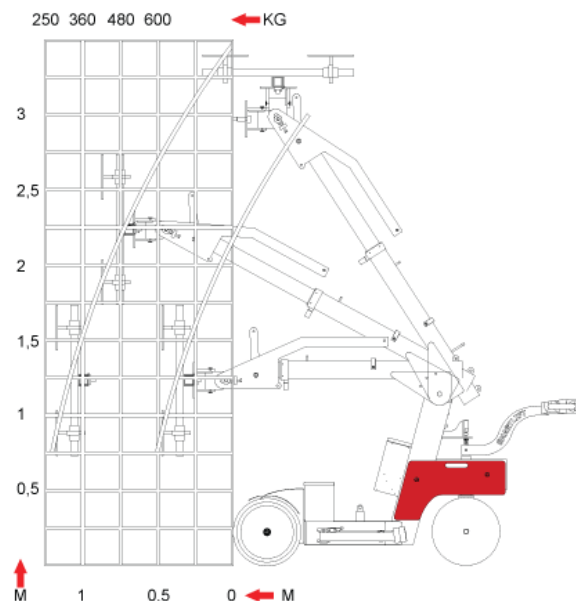


Vacuum system **2 circuits**
 Suction pads **4 units Ø 400 mm**



Weight **830 kg**

LOADING DIAGRAM



www.instant.no